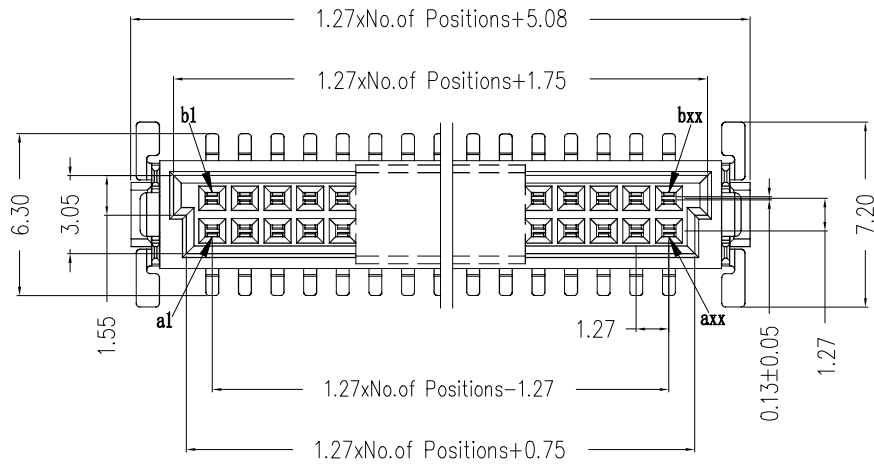
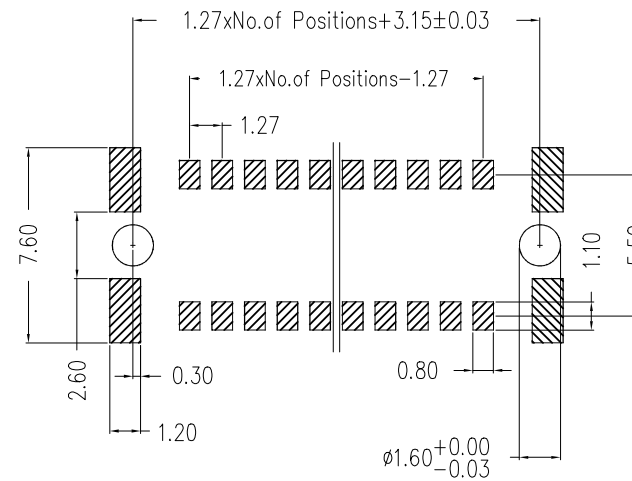


LAT-CON 127, Female, Height 13.65 mm, Pitch 1.27 mm



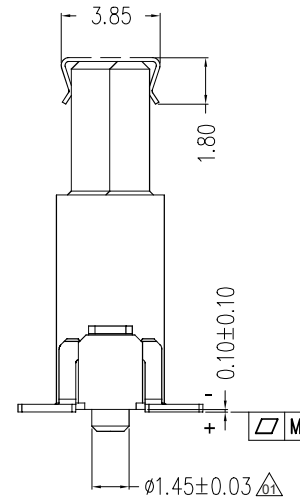
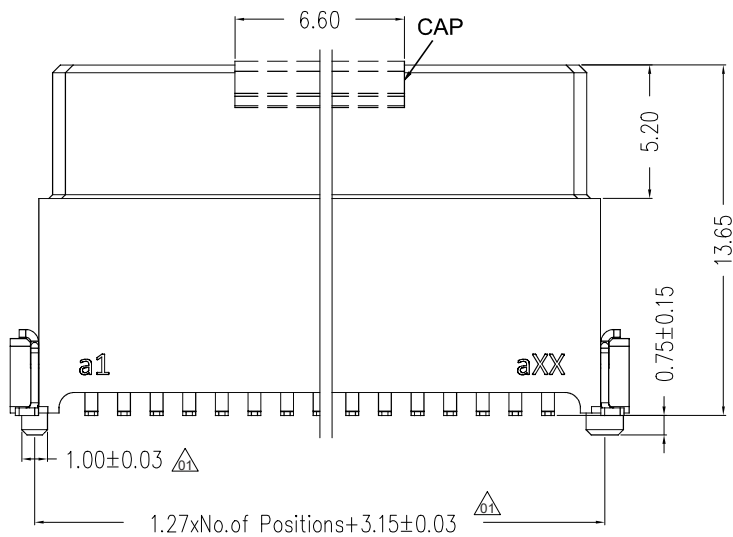
Recommended P.C.B Layout(Top Side)
(PCB BOARD TOLERANCE±0.05)



NOTES:
 Rated Current: 1.2A at 20°C max. Δ
 Contact Resistance: 25mΩ Max.
 Withstand Voltage: 500V
 Insulation Resistance: 10000MΩ Min.
 Operation Temperature: -55°C to +125°C

Contact Material: Phosphor Bronze
 Contact Plating: Sn and Au over Ni
 Tail Material: Phosphor Bronze
 Tail Plating: Sn over Ni
 Main Body Material: LCP

Pancon P/N	Pin
033H012-467U	12
033H016-467U	16
033H020-467U	20
033H026-467U	26
033H032-467U	32
033H040-467U	40
033H050-467U	50
033H068-467U	68
033H080-467U	80



PIN	M
10~40PIN	0.12
42~100PIN	0.15

REV	DATE	NOTE	NAME
02	02.08.2018	modified	vav
01	12.07.2018	modified	vav
00	12.01.2018	issued	vav