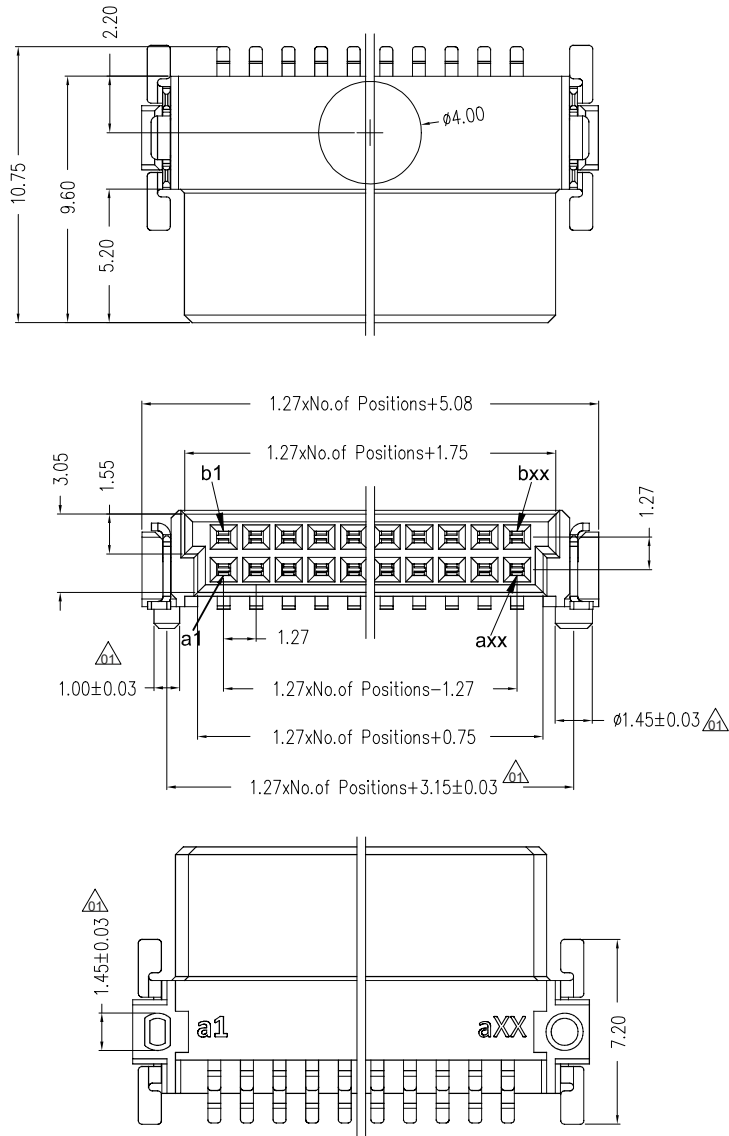
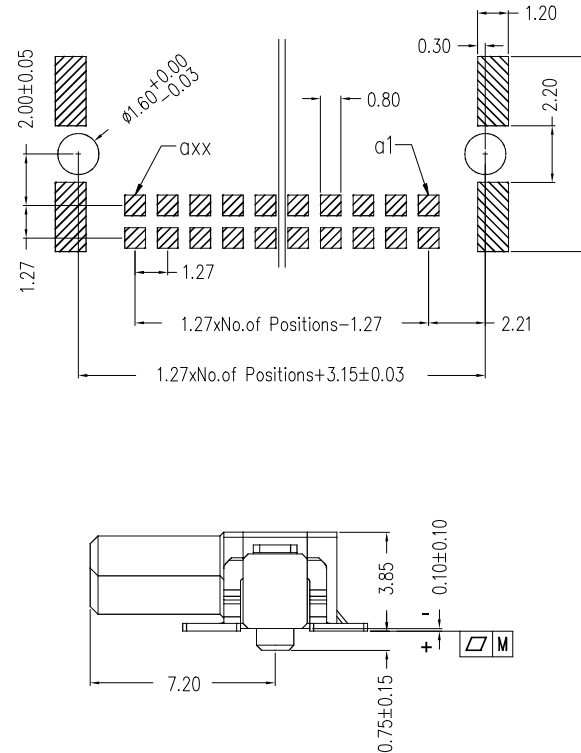


LAT-CON 127, Female, Right angle, Pitch 1.27mm



Recommended P.C.B Layout(Top Side)
(PCB BOARD TOLERANCE ± 0.05)



NOTES:
Rated Current: 1.2A at 20°C max. ⚠
Contact Resistance: 25m Ω Max.
Withstand Voltage: 500V
Insulation Resistance: 10000M Ω Min.
Operation Temperature: -55°C to +125 °C

Contact Material: Phosphor Bronze
Contact Plating: Sn and Au over Ni
Tail Material: Phosphor Bronze
Tail Plating: Sn over Ni
Main Body Material: LCP

Pancon P/N	Pin
033-012-467U	12
033-016-467U	16
033-020-467U	20
033-026-467U	26
033-032-467U	32
033-040-467U	40
033-050-467U	50
033-068-467U	68
033-080-467U	80

PIN	M
10~40PIN	0.12
42~100PIN	0.15

REV	DATE	NOTE	NAME
02	02.08.2018	modified	vav
01	11.07.2018	modified	vav
00	19.01.2018	issued	vav