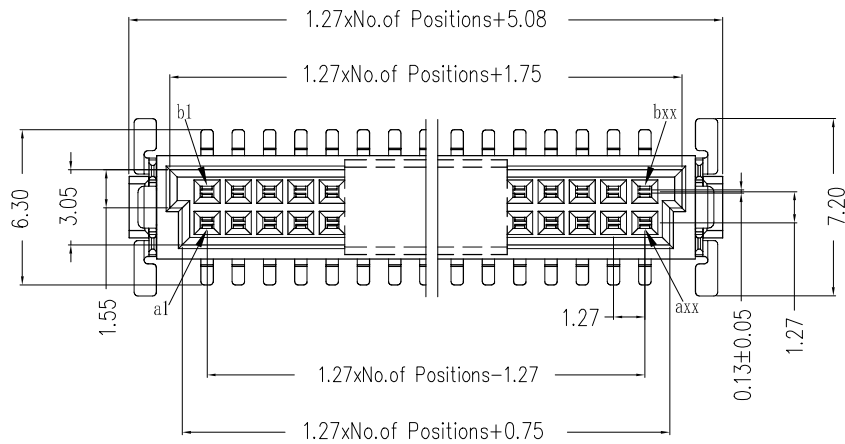
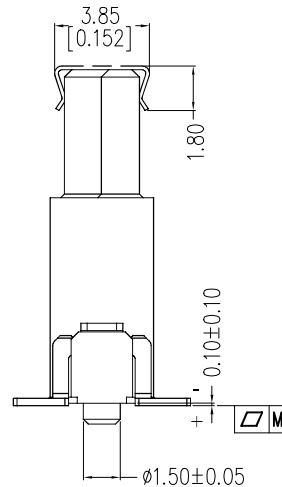
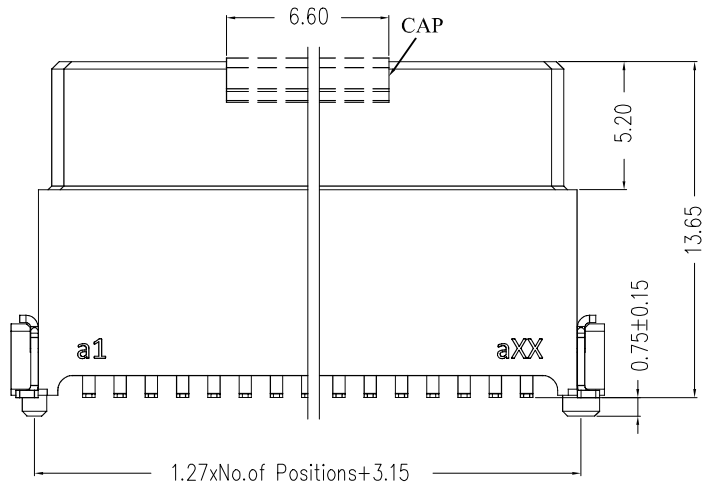
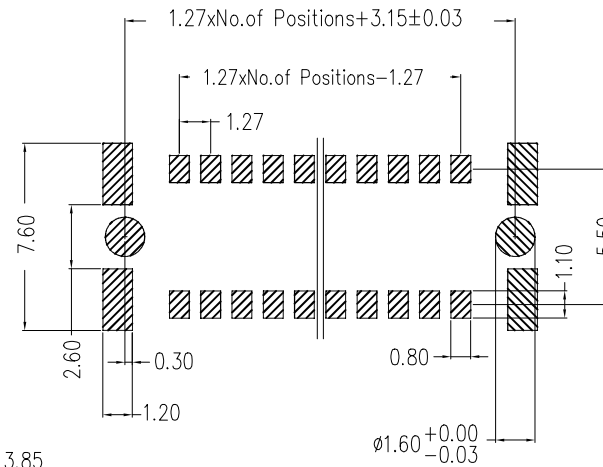


LAT-CON 127, Female, Height 13.65 mm, Pitch 1.27 mm



Recommended P.C.B Layout(Top Side)
(PCB BOARD TOLERANCE±0.05)



NOTES:

Rated Current: 0.5~1.0 AMP. Δ
Contact Resistance: 25m Ω Max.
Withstand Voltage: 500V
Insulation Resistance: 10000M Ω Min.
Operation Temperature: -55°C to +125°C

Contact Material: Phosphor Bronze
Contact Plating: Sn and Au over Ni
Tail Material: Phosphor Bronze
Tail Plating: Sn over Ni
Main Body Material: LCP

Pancon P/N	Pin
033H012-467U	12
033H016-467U	16
033H020-467U	20
033H026-467U	26
033H032-467U	32
033H040-467U	40
033H050-467U	50
033H068-467U	68
033H080-467U	80

PIN	M
10~40PIN	0.12
42~100PIN	0.15

Nr.	DATE	NOTE	NAME
12.01.2018	issued	VAV	