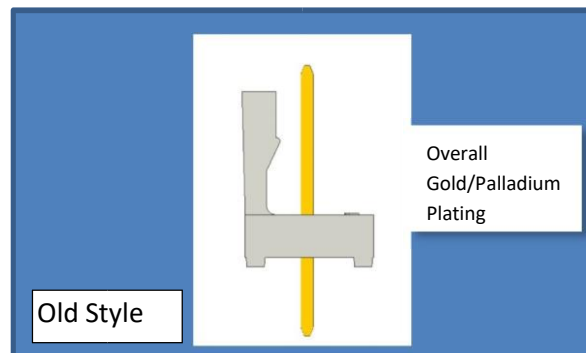
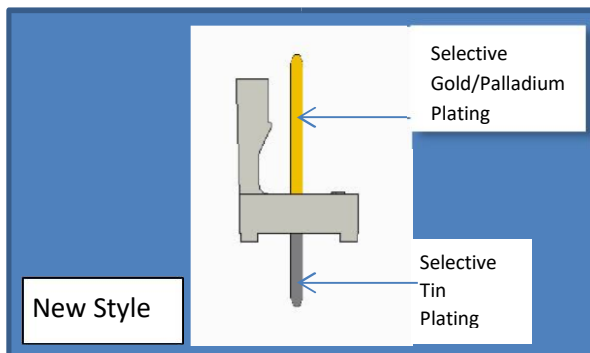


Product Change Notice



MAS-CON .100 Headers with Gold plating

Products Affected:	All Gold plated Mas-Con MLSS, MPSS, MLAS, MFSS, MFAS and MPAS Series Header Products.
Pancon Part Numbers:	MLSS100-XX-XB, MPSS100-XX-XB, MLAS100-XX-XB, MFSS100-XX-XB, MFAS100-XX-XB and MPAS100-XX-XB.
Description of Change:	<p>While the type of Gold plating (see http://www.pancon.de/TechInfo-MC-100802rev120118.pdf) in the contact area is not changing, the Gold plating area will no longer be overall, it will change to selective Gold plating. The mating end of the headers will be plated with Gold and the solder tail end will be plated with Tin over Nickel.</p> <p>Current Pancon part numbers will not be changed. Note: for a period of time some product may be shipped with Overall Gold plating at the factories discretion. Consult with the factory if your application requires overall plating, we will make it available under a new designation.</p> <p>Note: MAS-CON Series 156 is not affected from this change.</p>
Reason for Change:	Gold plating is not required on the solder tail.
Effect on function:	None.
Compatibility:	All affected Mas-Con headers will continue to be fully compatible with Mas-Con .100 centerline and most other competitor's similar connector solutions.
Effective Date:	With immediate effect.



Pancon GmbH
Gesellschaft für elektro-
mechanische Bauelemente
Siemensstrasse 7
D-61267 Neu-Anspach

Telefon
(06081)
964-0

Telefax
(06081)
964-111

Commerzbank AG Bad Homburg v.d.H.
(BLZ 500 400 00) Kto.3 418 100
IBAN DE 76 5004 0000 0341 8100 00
S.W.I.F.T.-Code: COBADEFF 501

Sitz der Gesellschaft: Neu-Anspach/Ts
AG Bad Homburg v.d.H. – HRB 12252
Geschäftsf.: Mike Kirkman
USt.-Id.-Nr.-V.A.T. No.: DE 283 028 695