

The reproduction, transmission or use of this document or its contents is not permitted without express written authority. Offenders will be liable for damages. All rights, including rights created by patent grant or registration of an utility model or design, are reserved.

Weitergabe sowie Vervielfältigung dieser Unterlage, Verwertung und Mitteilung ihres Inhalts nicht gestattet, soweit nicht ausdrücklich zugestanden. Zuwiderhandlungen verpflichten zu Schadensersatz. Alle Rechte vorbehalten, insbesondere fuer den Fall der Patenterteilung oder GM-Eintragung.

**Notes:**  
 Current Rating: 1.5 AMP  
 Contact Resistance: 20 Milliohm max.  
 Insulation Resistance: 1000 Megaohm min.  
 Withstand Voltage: 500VAC/Minute  
 Operating Temperature: -40°C to +105°C

Contact Material: Brass  
 Contact plating: Sn or Au Over Ni  
 Insulator Material: PA6T

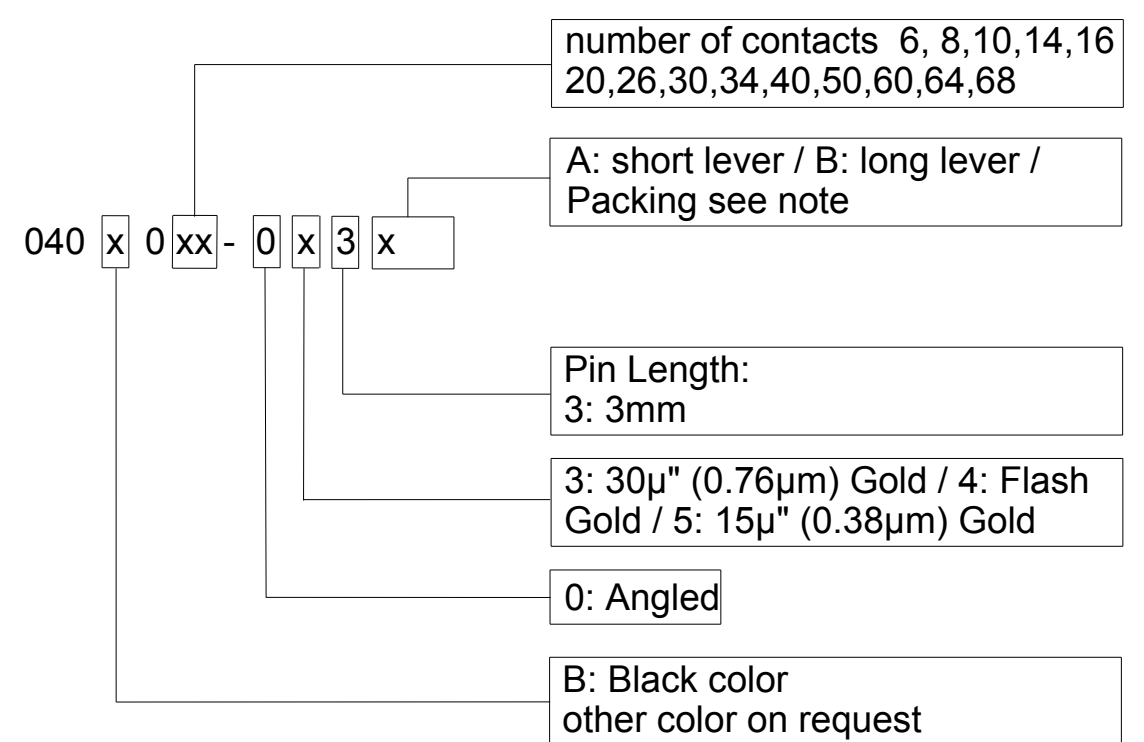
Components according to RoHS directive 2002/95/EC



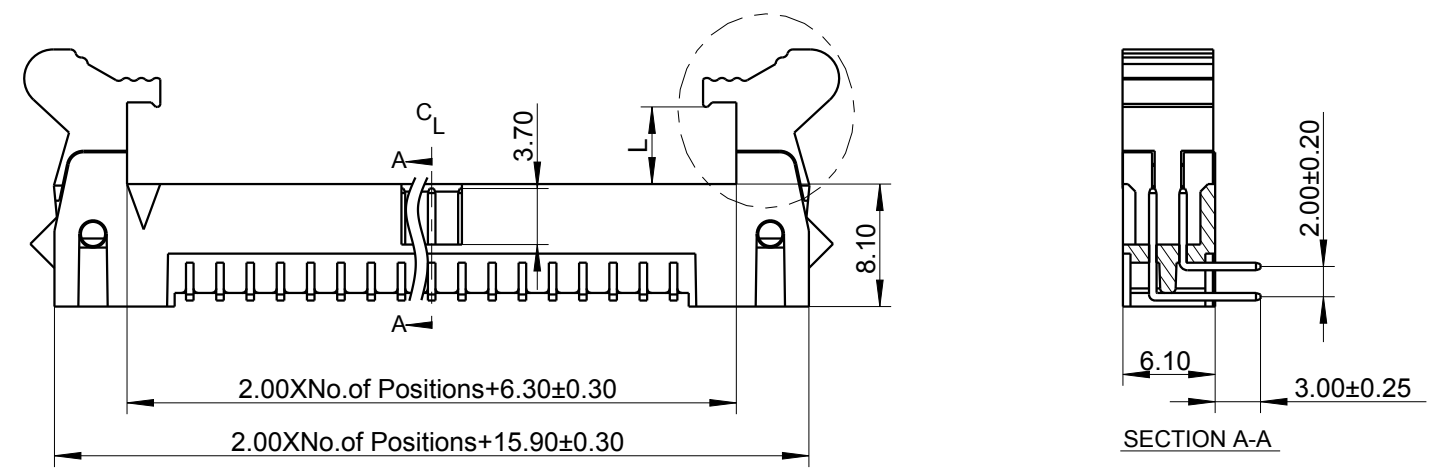
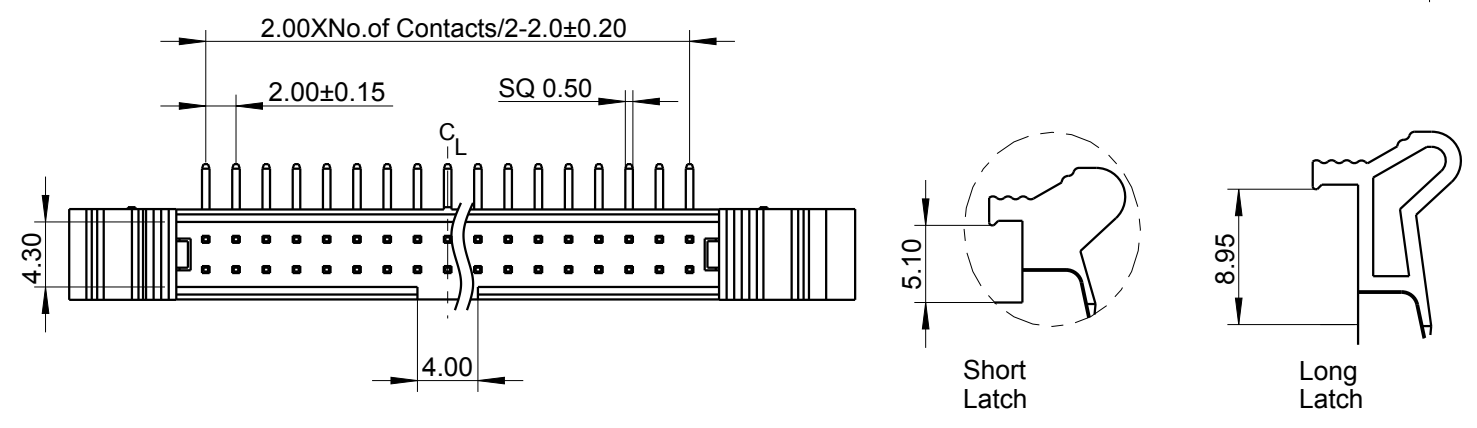
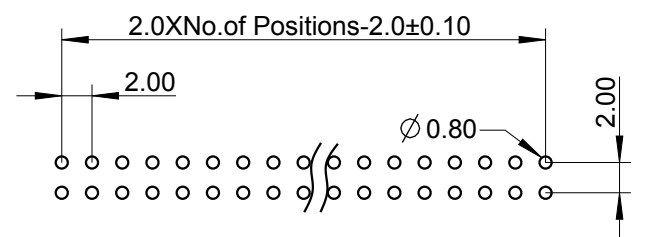
Housing printed with Pancon Logo

**Packing Note:**  
 Standard (no designation) = Tray or Cardboard  
 J = Tray with Cap  
 R = Reel  
 T = Tube  
 U = Reel with Cap  
 V = Tube with Cap

### Ordering Information Connector



### Recommended P.C.B Layout(Top Side)



3D-CAD-MODELLNAME: DRAWING IMPORT				FILETYPE: 2D-DRW	Dateiname Zeichnung / FILENAME DRAWING: C-040X0XX-0X3X	
wird verwendet in / USED IN: -		Allgemeintoleranzen GENERAL TOLERANCES .000 ±0.13 .00 ±0.25 .0 ±0.38 } ANGLE ±1°		Einheit/UNIT mm	Maßstab: SCALE: unscaled	VOLUME:- mm3 Gewicht/WEIGHT:- g
Bemerkungen / REMARKS -				DATE	NAME	MATERIAL: SEE PRODUCT KEY Oberfl./FINISH: SEE PRODUCT KEY
				erstellt DRAWN BY	210208	WIS
				geprüft CHECKED	210208	ROK
				Freigabe RELEASED	210208	RAS
				Benennung/TITLE <b>LATCH HEADER, 200 , ANGLED, TH</b>		
02	#1901	120209	TOS	 www.pancon.de		Zeichnungsnummer/DRAWING-NO. <b>C-040X0XX-0X3X</b>
REV.	Aenderung/ECN	DATE	NAME	Project: LC/E		Blatt SHT. 1 von OF 1
				Format A3		