

The reproduction, transmission or use of this document or its contents is not permitted without express written authority. Offenders will be liable for damages. All rights, including rights created by patent grant or registration of an utility model or design, are reserved.

Weitergabe sowie Vervielfaeltigung dieser Unterlage. Verwertung und Mitteilung ihres Inhalts nicht gestattet, soweit nicht ausdruerklich zugestanden. Zuwiderhandlungen verpflichten zu Schadenersatz. Alle Rechte vorbehalten, insbesondere fuer den Fall der Patenterteilung oder GM-Eintragung.

Notes:
 Current Rating: 1.5 AMP
 Contact Resistance: 20 Milliohm max.
 Insulation Resistance: 1000 Megaohm min.
 Withstand Voltage: 500VAC/Minute
 Operating Temperature: -40°C to +105°C

Contact Material: Brass
 Contact plating: Sn or Au Over Ni
 Insulator Material: PA6T

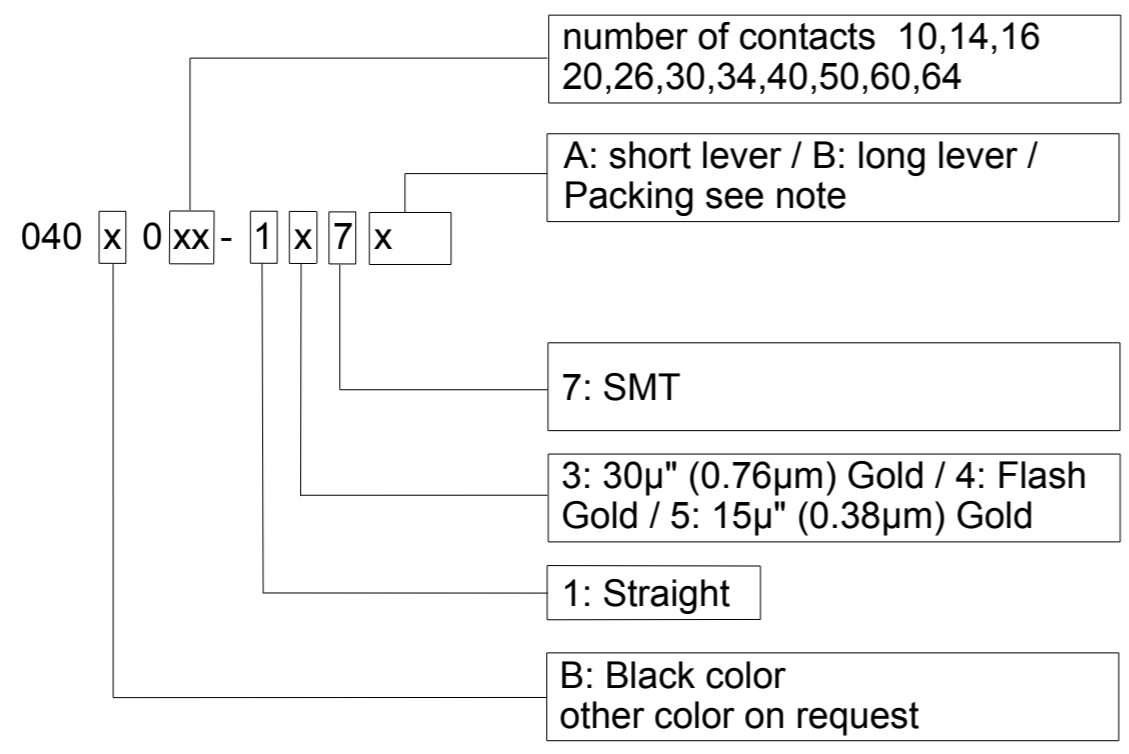
Components according to RoHS directive 2002/95/EC



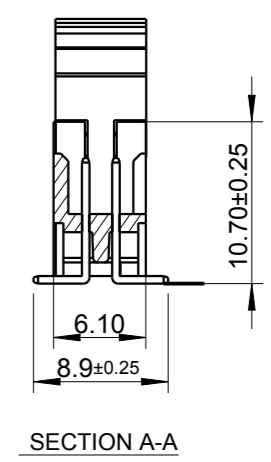
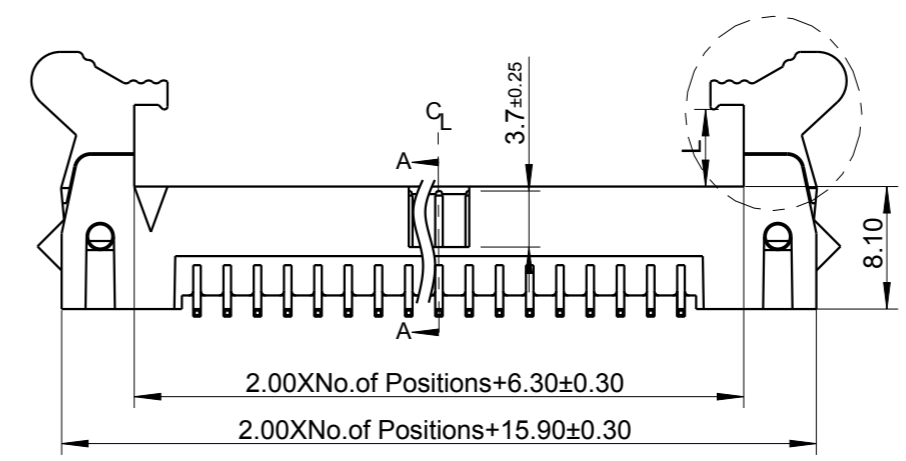
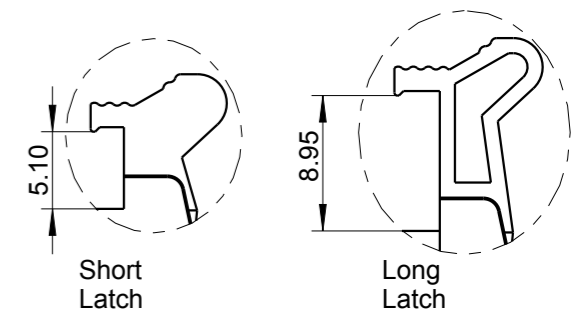
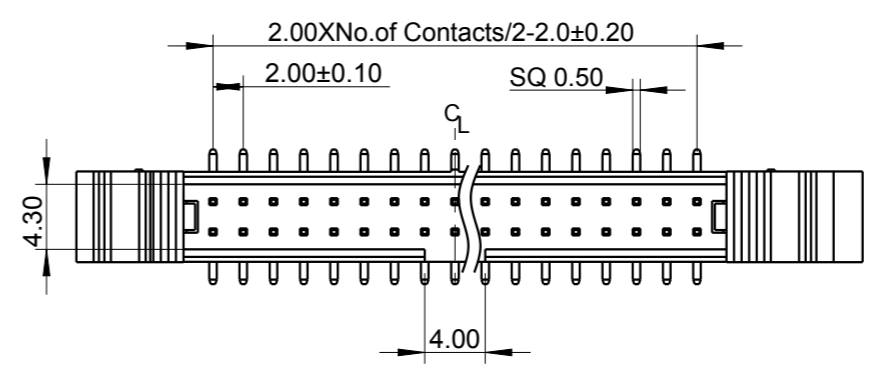
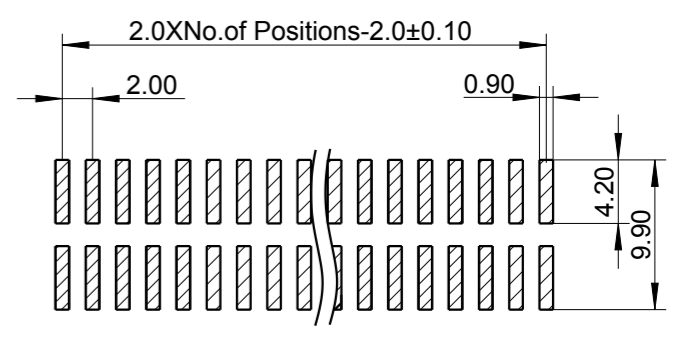
Housing printed with Pancon Logo

Packing Note:
 Standard (no designation) = Tray or Cardboard
 J = Tray with Cap
 R = Reel
 T = Tube
 U = Reel with Cap
 V = Tube with Cap

Ordering Information Connector



Recommended P.C.B Layout(Top Side)



3D-CAD-MODELLNAME: DRAWING IMPORT				FILETYPE: 2D-DRW	Dateiname Zeichnung / FILENAME DRAWING: C-040X0XX-1X7X	
wird verwendet in / USED IN: -		Allgemeintoleranzen GENERAL TOLERANCES .000 ±0.13 .00 ±0.25 .0 ±0.38 } ANGLE ±1°		Einheit/UNIT mm	Maßstab: SCALE unscaled	VOLUME: mm3 Gewicht/WEIGHT: g
Bemerkungen / REMARKS -				DATE	NAME	Benennung/TITLE
				erstellt DRAWN BY	210208 WIS	LATCH HEADER, 200, STRAIGHT, SMT
				geprüft CHECKED	210208 ROK	
				Freigabe RELEASED	210208 RAS	
04	1901	110209	TOS	 www.pancon.de		Zeichnungsnummer/DRAWING-NO. C-040X0XX-1X7X
REV.	Aenderung/ECN	DATE	NAME			Project: LC/E
						Blatt SHT. 1 von OF 1