

The reproduction, transmission or use of this document or its contents is not permitted without express written authority. Offenders will be liable for damages. All rights, including rights created by patent grant or registration of an utility model or design, are reserved.

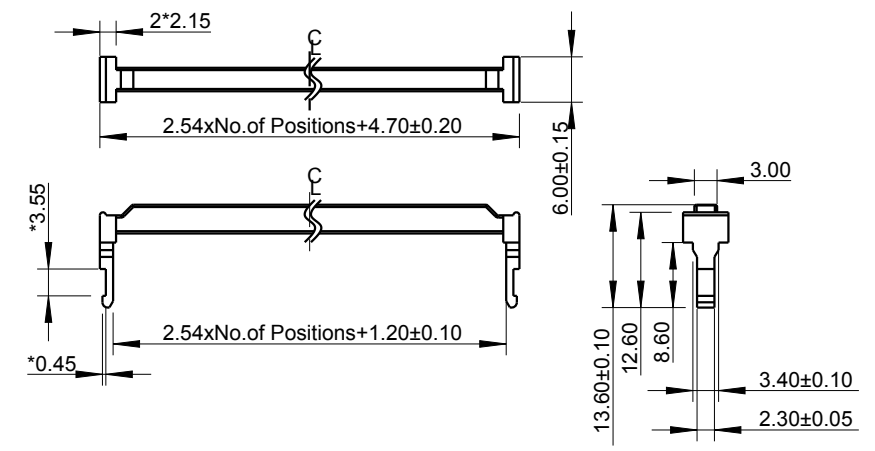
Weitergabe sowie Vervielfältigung dieser Unterlage, Verwertung und Mitteilung ihres Inhalts nicht gestattet, soweit nicht ausdrücklich zugestanden. Zuwiderhandlungen verpflichten zu Schadensersatz. Alle Rechte vorbehalten, insbesondere fuer den Fall der Patenterteilung oder GM-Eintragung.

### Ordering Information Strain Relief

040 x 000 - 0 xx

number of contacts 6,10,14,16  
20,26,30,34,40,50,60,64

B: Black color  
other color on request



### Ordering Information Connector

040 x 0 xx - 4 x 5 A

number of contacts 6,10,14,16  
20,26,30,34,40,50,60,64

A: Center Polarsation /  
Packing see note

5: socket

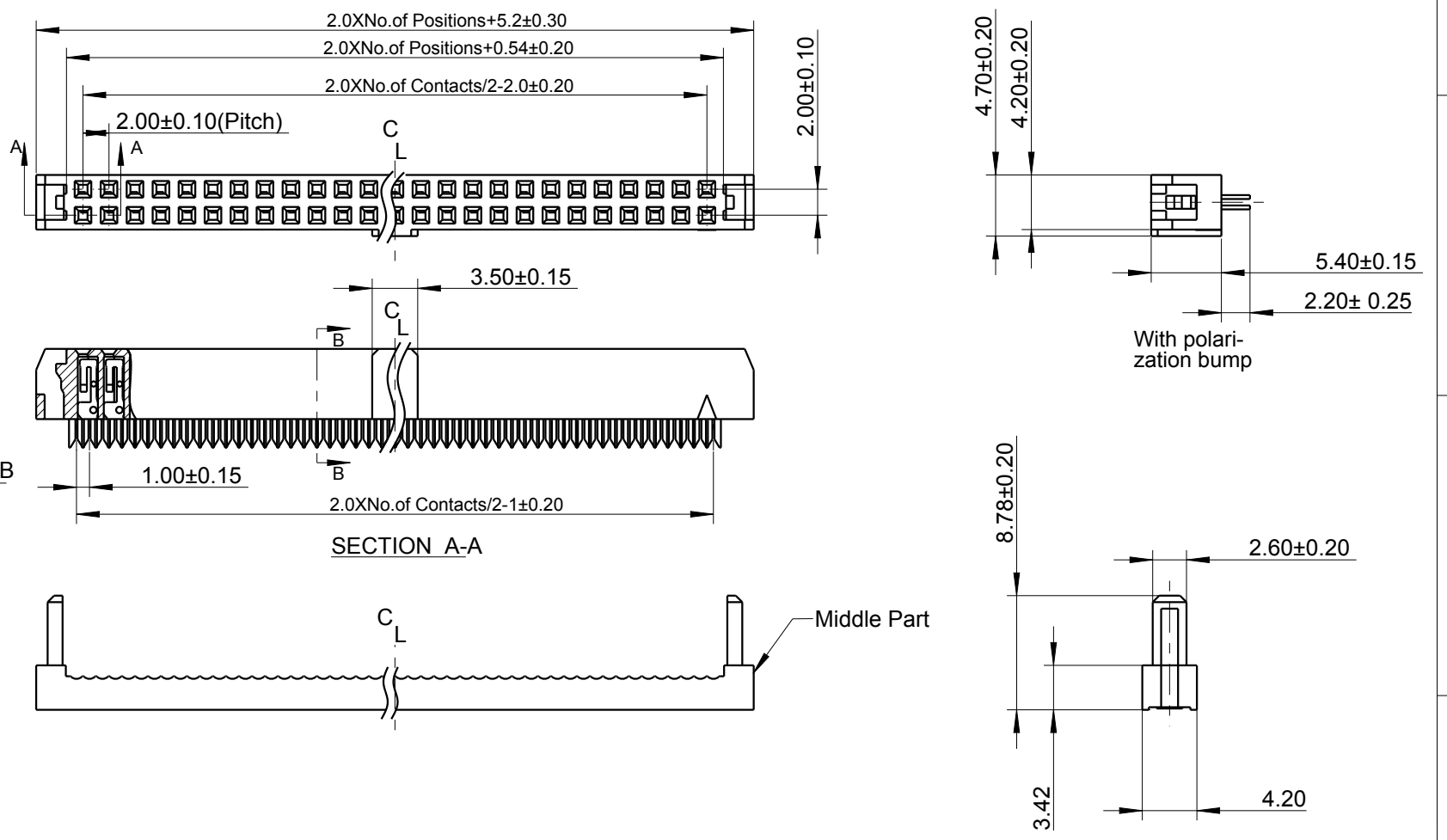
3:  $30\mu$ " (0.76 $\mu$ m) Gold / 4: Flash Gold / 5:  $15\mu$ " (0.38 $\mu$ m) Gold

4: socket

B: Black color  
other color on request

**Notes:**  
 Current Rating: 1.0 AMP  
 Contact Resistance: 20 Milliohm max.  
 Insulation Resistance: 1000 Megaohm min.  
 Withstand Voltage: 500VAC/Minute  
 Operating Temperature: -40°C to +105°C  
 Components according to RoHS directive 2002/95/EC

Contact Material: Phosphor Bronze  
 Contact plating: Sn or Au Over Ni  
 Insulator Material: PBT+30%GF (UL94V-0)  
 Housing printed with Pancon Logo



**Packing Note:**  
 Standard (no designation) = Tray Cardboard / Bag  
 J = Tray with Cap  
 R = Reel  
 T = Tube  
 U = Reel with Cap  
 V = Tube with Cap

3D-CAD-MODELLNAME: DRAWING IMPORT				FILETYPE: 2D-DRW	Dateiname Zeichnung / FILENAME DRAWING: C-040X0XX-4X5A	
wird verwendet in / USED IN: -		Allgemeintoleranzen GENERAL TOLERANCES .000 ±0.13 .00 ±0.25 .0 ±0.38 } ANGLE ±1°		Einheit/UNIT mm	Maßstab: SCALE unscaled	VOLUME: mm3 Gewicht/WEIGHT: g
Bemerkungen / REMARKS -				EUROPEAN PROJECTION	MATERIAL: SEE PRODUCT KEY Oberfl./FINISH SEE PRODUCT KEY	
		DATE	NAME	Benennung/TITLE		
		200208	WIS	<b>SOCKET, 200, IDC</b>		
		210208	ROK			
		220208	RAS			
03	#1901	120209	TOS	<b>PANCON</b> CONNECTORS www.pancon.de		Zeichnungsnummer/DRAWING-NO. <b>C-040X0XX-4X5A</b>
REV.	Aenderung/ECN	DATE	NAME			Project: LC/E
						Blatt SHT. 1 von OF 1