

Notes:

Current Rating: 3.0 AMP
 Contact Resistance: 20 Milliohm max.
 Insulation Resistance: 1000 Megaohm min.
 Withstand Voltage: 500VAC/Minute
 Operating Temperature: -40°C to +105°C

Contact Material: Brass
 Contact plating: Sn or Au Over Ni
 Insulator Material: PBT+30%GF (UL94V-0)

10 TO 16 Pos. with Slot "B"
 20 TO 60 Pos. with Slot "A" AND "B"

Components according to RoHS directive 2002/95/EC

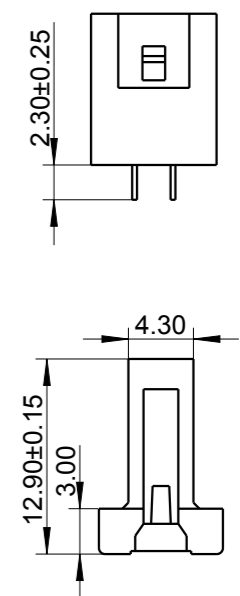
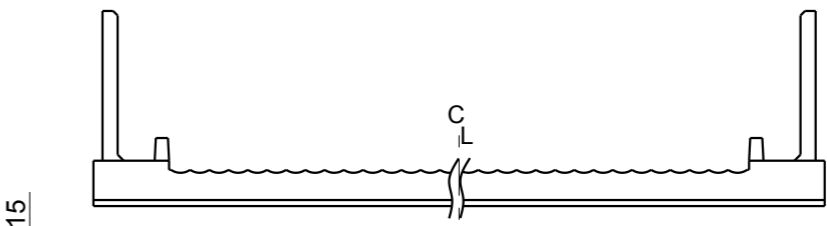
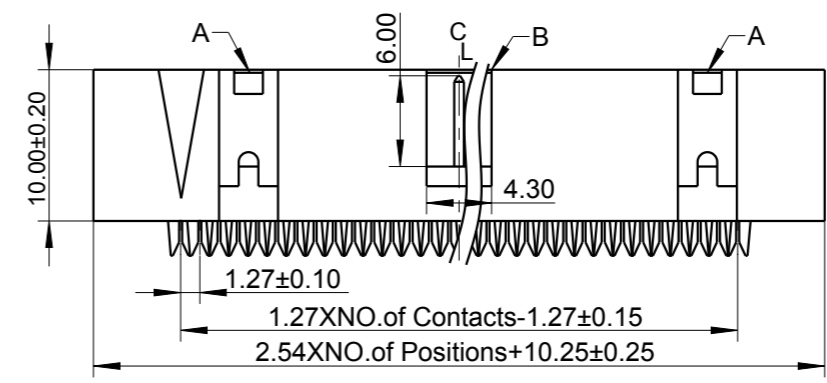
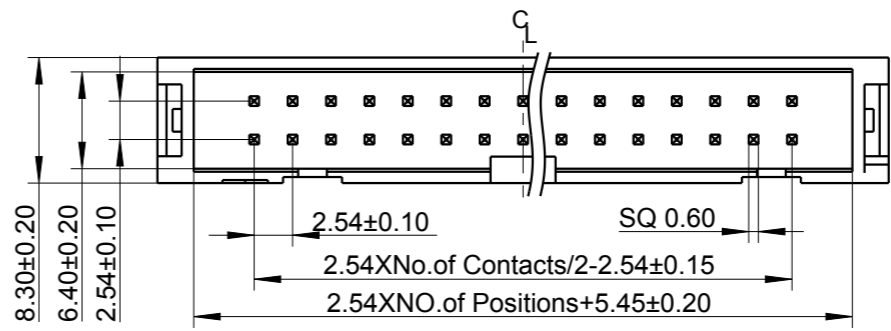
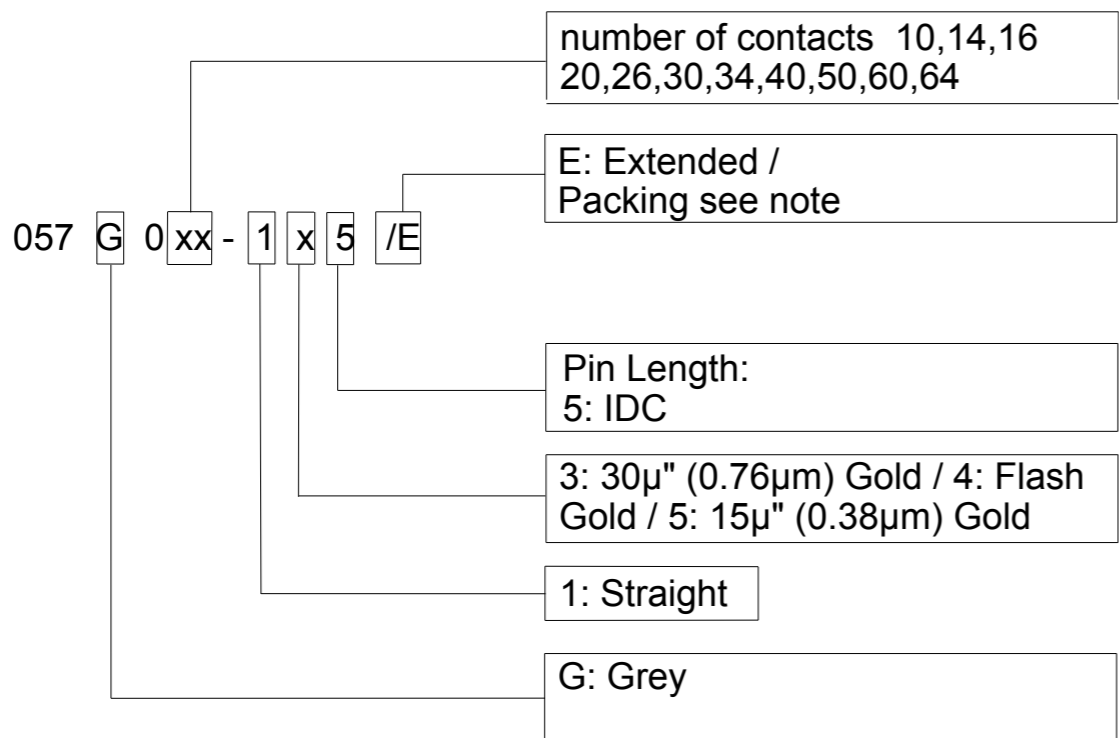


Housing printed with Pancon Logo

Packing Note:

Standard (no designation) = Tray or Cardboard
 J = Tray with Cap
 R = Reel
 T = Tube
 U = Reel with Cap
 V = Tube with Cap

Ordering Information Connector



3D-CAD-MODELLNAME: DRAWING IMPORT				FILETYPE: 2D-DRW	Dateiname Zeichnung / FILENAME DRAWING: C-057X0XX-1X5_E	
wird verwendet in / USED IN: -		Allgemeintoleranzen GENERAL TOLERANCES .000 ±0.13 .00 ±0.25 .0 ±0.38 } ANGLE ±1°		Einheit/UNIT mm	Maßstab: SCALE unscaled	VOLUME: mm3 Gewicht/WEIGHT: g
Bemerkungen / REMARKS -				DATE	NAME	MATERIAL: SEE PRODUCT KEY Oberfl./FINISH SEE PRODUCT KEY
				erstellt DRAWN BY	210208	WIS
				geprüft CHECKED	220208	ROK
				Freigabe RELEASED	220208	RAS
Benennung/TITLE BOX HEADER, 254, IDC						
02	#1901	110209	TOS	Zeichnungsnummer/DRAWING-NO. C-057X0XX-1X5/E		Blatt SHT. 1
REV.	Aenderung/ECN	DATE	NAME	Project: LC/E		von OF 1
www.pancon.de				Format A3		

The reproduction, transmission or use of this document or its contents is not permitted without express written authority. Offenders will be liable for damages. All rights, including rights created by patent grant or registration of an utility model or design, are reserved.
 Weitergabe sowie Vervielfältigung dieser Unterlage, Verwertung und Mitteilung ihres Inhalts nicht gestattet, soweit nicht ausdrücklich zugestanden. Zuwiderhandlungen verpflichten zu Schadensersatz. Alle Rechte vorbehalten, insbesondere fuer den Fall der Patenterteilung oder GM-Eintragung.